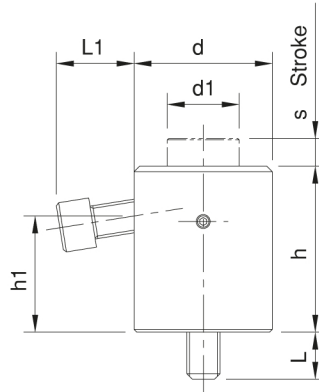
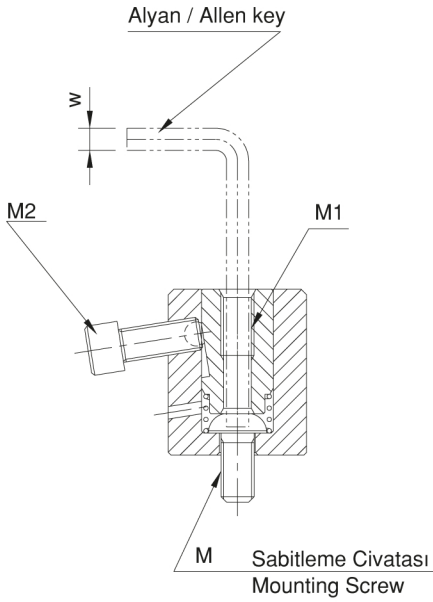


| Referans Nr. | h | s | M1 | d1 | d | M | L | w | h1 | L1 | M2 | İzin Verilen Vida Torku Allowable Screw Torque(Nm) | Destek Kapasitesi Support Capacity (kgf) | Piston Yay Kuvveti Piston Spring Force (N) | (g) |
|--------------|----|----|--------|----|----|-----|----|----|------|------|--------|---|---|---|-------|
| 1588-060 | 33 | 6 | M6x12 | 14 | 28 | M6 | 10 | 4 | 22 | 14.1 | M6x16 | 7.5 | 400 | 10~22 | 150 |
| 1588-080 | 42 | 10 | M8x16 | 19 | 35 | M8 | 15 | 5 | 28.5 | 18.8 | M8x20 | 14 | 600 | 10~27 | 300 |
| 1588-100 | 50 | 10 | M10x20 | 22 | 42 | M10 | 14 | 6 | 34 | 23.8 | M10x25 | 18 | 750 | 14~28 | 540 |
| 1588-120 | 60 | 10 | M12x24 | 26 | 50 | M12 | 17 | 8 | 42 | 28.5 | M12x30 | 22 | 900 | 15~30 | 865 |
| 1588-160 | 70 | 10 | M16x32 | 33 | 60 | M16 | 22 | 10 | 47 | 26.5 | M12x30 | 25 | 900 | 15~35 | 1.390 |

Ürün Nr. 1588 Ayarlı Destek
• Siyah kaplama

Product Nr. 1588 Adjustable Support
• Black coating



Uygulama Örneği / Application Example

