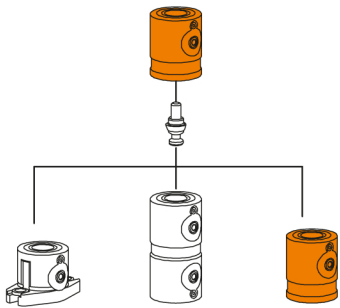
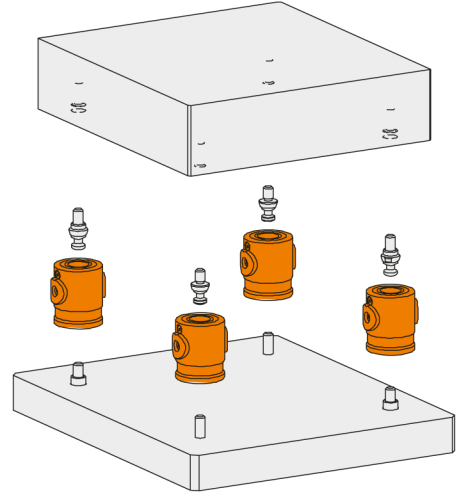
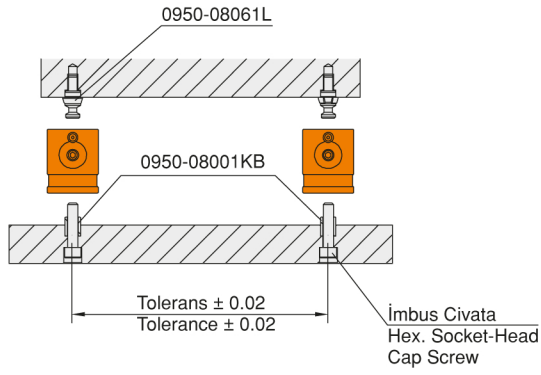
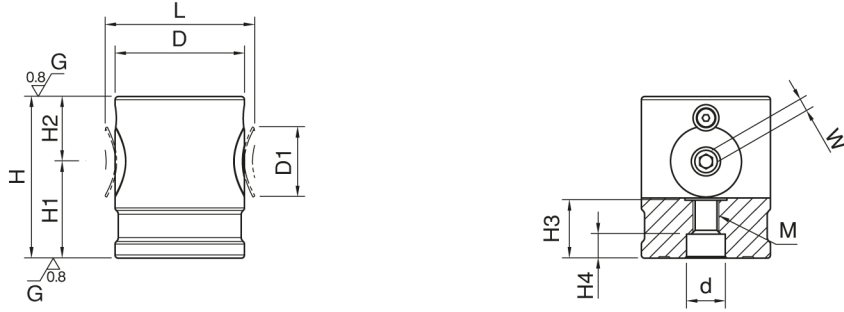




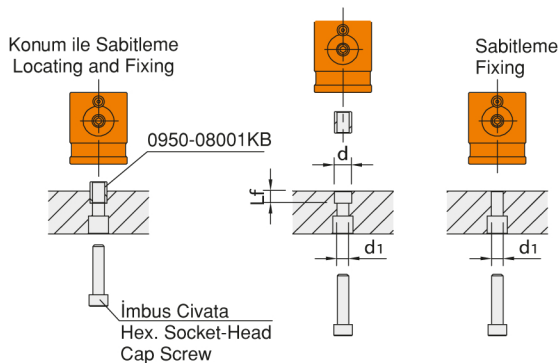
| Referans Nr. | D  | H<br>(±0.01) | D1 | L    | H1   | H2   | H3   | d<br>(H7) | H4   | M   | W | Sıkma Kuvveti<br>Clamping Force<br>Kgf | İzin Verilen<br>Tork<br>Allowable Screw<br>Torque (N-m) | (g)  |
|--------------|----|--------------|----|------|------|------|------|-----------|------|-----|---|--|---|------|
| 0950-06032   | 30 | 32           | 15 | 34.5 | 19.5 | 12.5 | 11.5 | 8         | 5    | M6  | 3 | 500                                    | 4   | 200  |
| 0950-08050   | 40 | 50           | 22 | 46   | 30   | 20   | 18   | 12        | 7.5  | M8  | 4 | 800                                    | 8   | 500  |
| 0950-12080   | 60 | 80           | 32 | 69   | 50   | 30   | 25   | 18        | 10.5 | M12 | 6 | 1500                                   | 22  | 1600 |
| 0950-16100   | 80 | 100          | 44 | 91   | 60   | 40   | 31   | 22        | 12.5 | M16 | 8 | 2500                                   | 50  | 3800 |

Ürün Nr. 0950 5-Eksen Blok Bağlama Yükseltme

Product Nr. 0950 5-Axis Clamping Block Extension



**Uygulama Örneği / Application Example**



| Referans Nr. | d<br>(H7) | Lf   | d1<br>(+0.2)<br>0 |
|--------------|-----------|------|-------------------|
| 0950-06032   | 8         | 6.5  | 6                 |
| 0950-08050   | 12        | 8.5  | 8                 |
| 0950-12080   | 18        | 12.5 | 12                |
| 0950-16100   | 22        | 16.5 | 16                |